

➤ Handy and Handy CB manual Mini lifter

Manual mini lifters available in two versions: standard (Handy) and counterbalanced (Handy CB) with manual drive and lifting by means of a pulley. Available with load capacity up to 100 kg and standard lifting height up to 1600 mm with the CB version. Handy has four poly castor wheels, two of which have a brake, whereas Handy CB has two fixed front wheels and two rear wheels fitted with pedal brakes. Both models are super compact, light and extremely manageable to ensure easy use when fitted with any accessory. The Handy CB model is used to handle overhanging packages without obstructing the fixed spokes. It can be provided with different standard accessories (refer to the table regarding residual loads) or with equipment designed specifically according to the customer's requirements. For further information, visit the site www.levanteminilifter.com. **Made in Italy.**



Model		HANDY	HANDY CB
Capacity*	kg	100	100
Lifting min /max	mm	1500	1600
Mast Height	mm	1750	1920
Rollers	N/ø mm	2/60x20	2/80x30
Wheels	N/ø mm	2/100x30	2/150x40
Lifting speed	N. giri	30	31
Weight	kg	57	250

* Always check the actual capacity of the truck with the table tools

Handy and Handy CB manual Mini lifter

Tools



DS - Double Spur

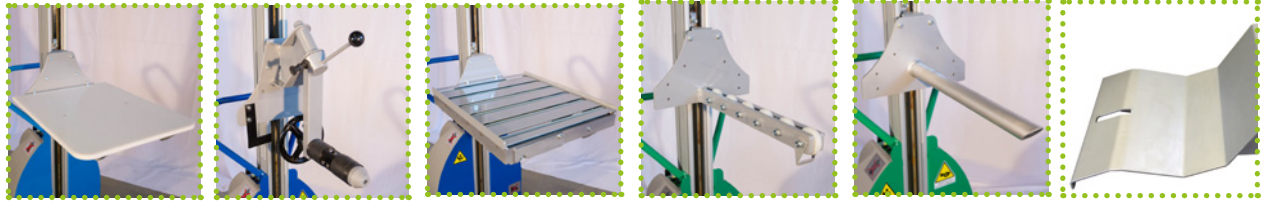
A - Clamp

B - Reel Holder

F - Forks

PV - Glass Holder

G - Crane Arm



P - Platform

R - Roto-reel

C - Rollers platform

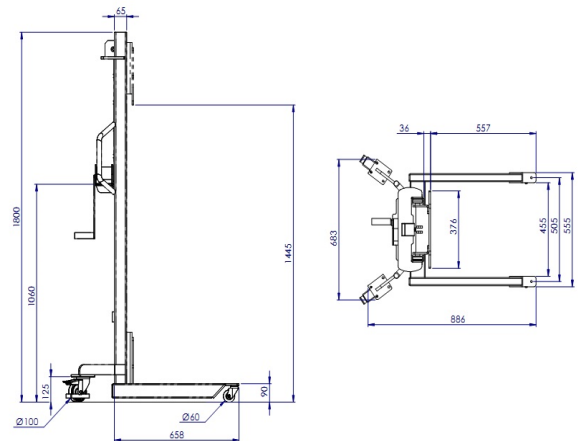
SR - Spur with rollers

S - Spur

CF - Frontal Reel holder

Mod.	Tools	Descrip.	Dimensions LxW mm	Material	Note	HANDY	HANDY CB
F	Forks		600x375	Painted Steel	Available also in Stainless steel Aisi 304	100	100
DS	Double spur		600x240/360	Painted Steel		100	100
S	Spur		600	Painted Steel	Available also in Stainless steel Aisi 304	100	100
SR	Spur with rollers	with 6 nylon rollers and safety stop	540	Painted Steel		100	100
B	Reel Holder		600x390	Painted Steel	Available also in Stainless steel Aisi 304	100	100
CF	Frontal Reel Holder			Painted Steel	Available also in Stainless steel Aisi 304	100	100
BP	Swivel Reel Holder		600x400	Painted Steel	Available also in Stainless steel Aisi 304	100	100
A	Clamp	Ø Min/max Reels and Drums Ø 300/600 mm		Painted Steel	Available also in Stainless steel Aisi 304	50	-
P	Platform	Screwed on Forks	600x500	White Nylon	Available also in smooth painted plate or in checker plate or stainless steel Aisi 304 or 316.	100	100
C	Rollers Platform	with 6 rollers and upper protection and side guards	600x500	Painted Steel	Available with perpendicular and parallel to the forks	100	100
G	Crane Arm	5 position Swivel Hook	600	Painted Steel		100	100
PV	Glass Holder	with adjustable sucker		Painted Steel		100	100
WS	Weighing Forks	with Ravas weighing system	590x370	Painted Steel		-	-
R	Roto Reels			Painted Steel		50	50

Handy dimensions



Handy CB dimensions

