

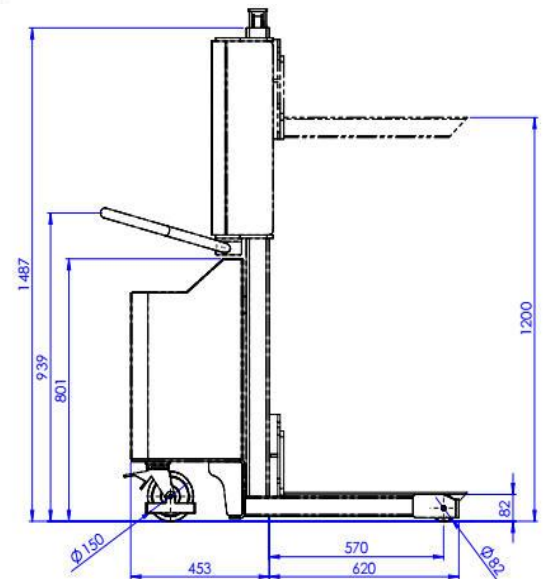
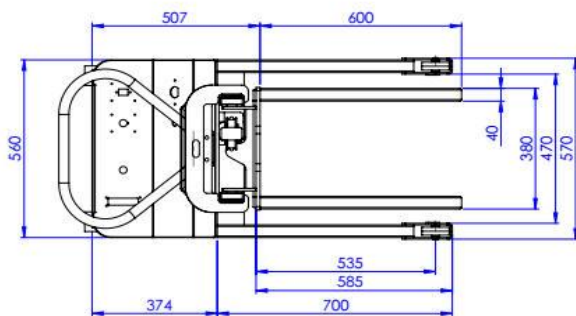
➤ NEWBINGO UP X: Stainless steel Aisi 304 multifunction semi-electric minilifter

Semi-electric mini-lifter with electro-hydraulic lifting with cylinder controlled by mini-hydraulic unit.
Chassis, joints, hydraulic cylinder and cover are watertight IP54 and Aisi 304 stainless steel

Standard with 2 rear swivel wheels and 2 frontal fix poly rollers.

2 AGM batteries 12V 50Ah and built in charger.

Standard Aisi 304 stainless steel plate for tools type 3.



	Tools	Dimensions mm	Material	Note	NewBingo UP X Res. capacity Kg
FX300	Forks	375x600	Stainless steel Aisi 304		300
SX300	Spur	Ø50 x600	Stainless steel Aisi 304		300
SRX300	Spur with rollers		Stainless steel Aisi 304 6 nylon rollers	Max. width for reel 480mm	300
DSX300	Double spur	240/360x600	Stainless steel Aisi 304		300
CFX300-01	Frontal cradle	350x504	Stainless steel Aisi 304		300
CFX300-02	Frontal cradle	350x504	Stainless steel Aisi 304	Diameter reel Ø400-600	300
GX300	Crane arm	L. 600 370-570	Stainless steel Aisi 304	Maximum capacity based on load position and legs type	180-300
BX300	Cradle for reel	390x600	Stainless steel Aisi 304	Screwed on forks	300
P	Nylon platform	500x600	Nylon PM22	Screwed on forks	300
PX-01	Nylon platform with lateral rollers	500x600	Stainless steel Aisi 304	Screwed on forks	300
PX-02	Platform	500x600	Stainless steel Aisi 304	Screwed on forks	300